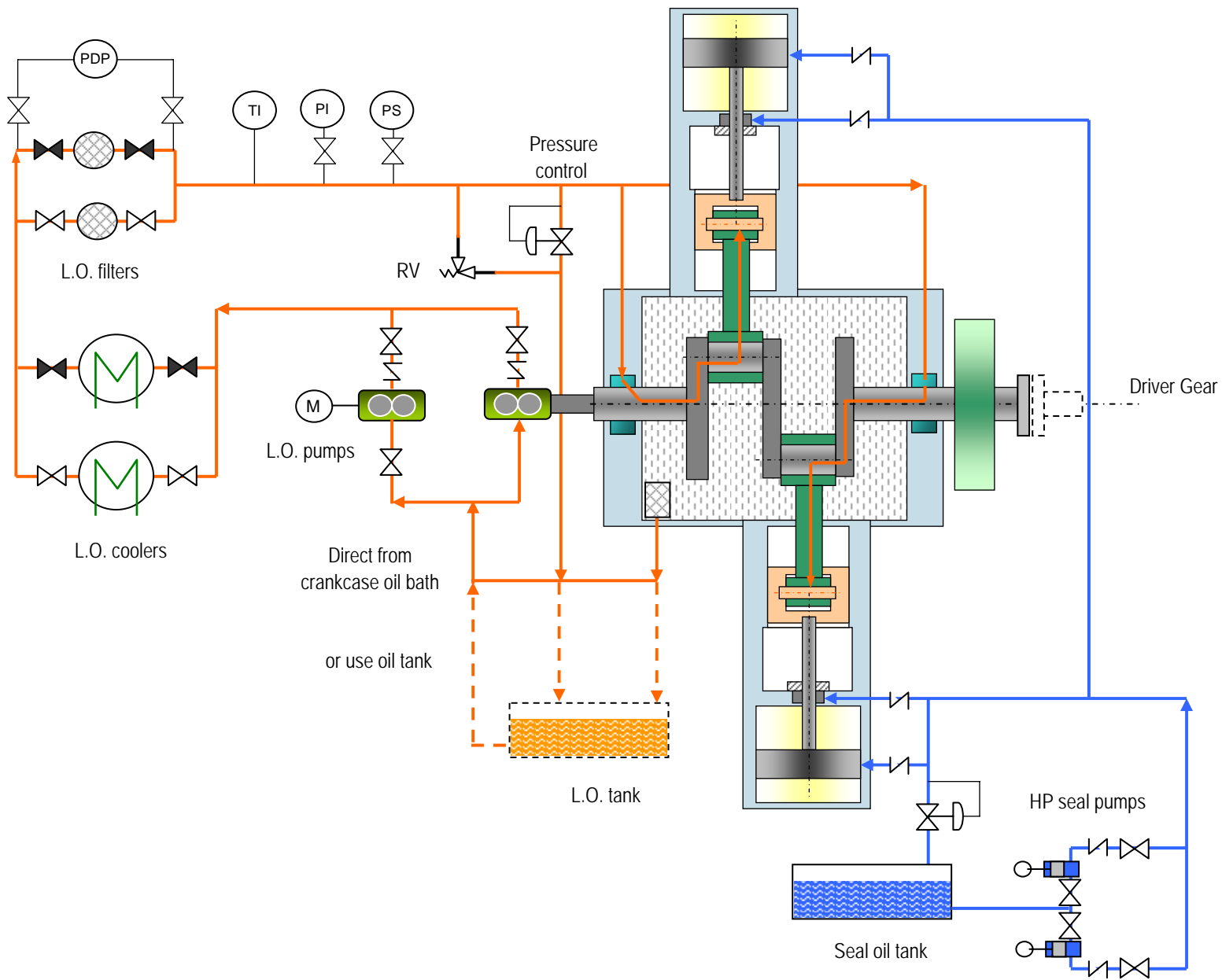
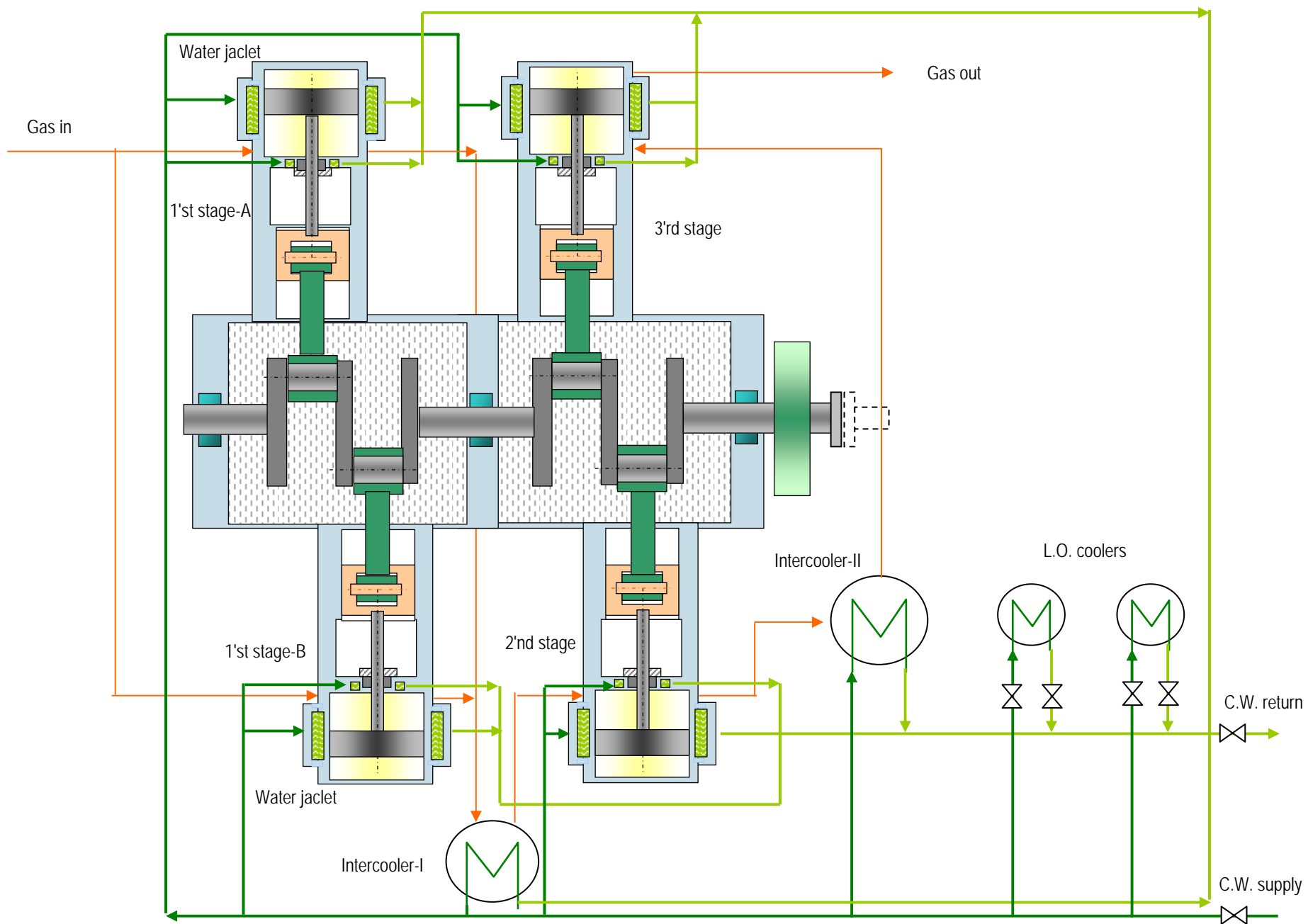


LUBE OIL AND H.P. SEAL OIL DIAGRAM FOR RECIPROCATING COMPRESSOR (TYPICAL)



# COOLING WATER DIAGRAM FOR RECIPROCATING COMPRESSOR (TYPICAL)



# RECIPROCATING COMPRESSOR CONTROL (TYPICAL)

